

# 33" CLASSIC V-RACK CASTERS

TECH BULLETIN | 29/11/2018

DESIGNED IN

USA

Rev. A

SINCE 1976



To provide easier transportation and manual handling of the Classic V-Rack case models, Peli offers the following reinforcement solution from now on:

Peli has developed a reinforcement kit for the casters. It's a set of internal support brackets that can be installed for protecting the case (see image 1).

All customers will be able to order it as a separate accessory, for installing to the V-Rack cases. This new kit will be available in February 2019.



Image 1  
Internal Support

Part # 21-P209-0041-02 - INTERNAL BRACKET RETROFIT KIT	Quantity
(2) BRACKETS AND HARDWARE (no caster plates or casters)	1

## DETAILS OF THE SUPPORT BRACKET UPGRADE KIT

The Classic-V Support Bracket Upgrade Kit is tested up to 170 lbs. (77Kg) and 140°F (60°C). It is a Classic-V Rack option at an additional price to the base configuration (see image 2). The kit includes internal support brackets, caster plates and gaskets, four (4) 3.5" swivel casters and hardware. This kit can be ordered and configured for shipment on a new case or purchased separately and installed by customers.

PN 21-P209-0041-01 KIT, SUPPORT BRACKET, V-RACK	Quantity
CASTER, SWVL, 3.5BK	4
DOUBLE ENDER REMOVABLE CASTER PLATE	2
SCREW, BUTTON HEAD, SOC, SST	8
NUT, HEX, LOCKING, SST, PLASTIC INSERT	4
GASKET, V-RACK BRACKET	4
BRACKET, CASTER, V-RACK CLASSIC	2
WASHER, FLAT, SST	8

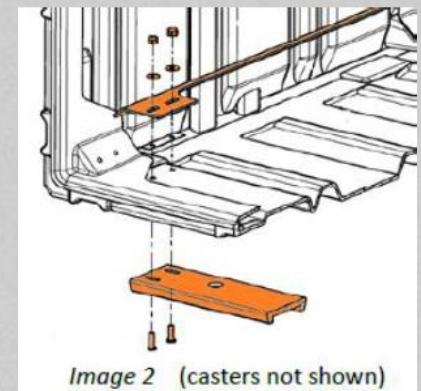


Image 2 (casters not shown)

### Peli products, S.L.U

Provença, 388, 08025  
Barcelona  
Spain  
934 67 49 99

All trademarks are registered and/or unregistered trademarks of Peli Products, S.L.U., its subsidiaries and/or affiliates.

© 2017 Peli Products, S.L.U.

PELI.COM  
GUARANTEED FOR LIFE

SEE PELI.COM/WARRANTY FOR  
FULL DETAILS