

DETERMINING BEZEL PLATE SIZE:

- STEP 1 MEASURE THE CASE DIMENSIONS FROM INSIDE CORNER TO INSIDE CORNER FOR ACTUAL TRUE CASE SIZE. REF FIGURE #2.
- STEP 2 SUBTRACT .094" FROM EACH OF THESE DIMENSIONS (LENGTH AND WIDTH) FOR OUTSIDE PLATE SIZE. NOMINAL SIZES SHOWN FOR REFERENCE ONLY.
- STEP 3 THE PLATE SIZE GENERATED IS FOR A BEZEL PLATE THAT WOULD BE LOCATED 3/8" BELOW THE PARTING LINE (REF. FIGURE #1) FOR A BEZEL PLATE LOCATED AT OTHER LOCATIONS: FOR EVERY .25" BELOW THE PARTING LINE, SUBTRACT .018" FROM THE LENGTH AND WIDTH MEASUREMENT OF STEP 2. MAX INSTALLATION DEPTH OF PLATE FROM PARTING LINE IS 2.00"

NOTES:

- 1. INFORMATION PROVIDED IS FOR CUSTOMER REFERENCE.
- 2. DIMENSIONS ARE IN INCHES.
- 3. SEE FRAME INSTALLATION INSTRUCTION "PIII-0332" FOR PROPER LOCATION OF RAILS
- 4. FIGURE #1 CROSS SECTION VIEW OF RAIL, GASKET AND BEZEL PLATE.
- 5. FIGURE #2 MEASUREMENT POINTS FOR DIMENSIONS NEEDED.

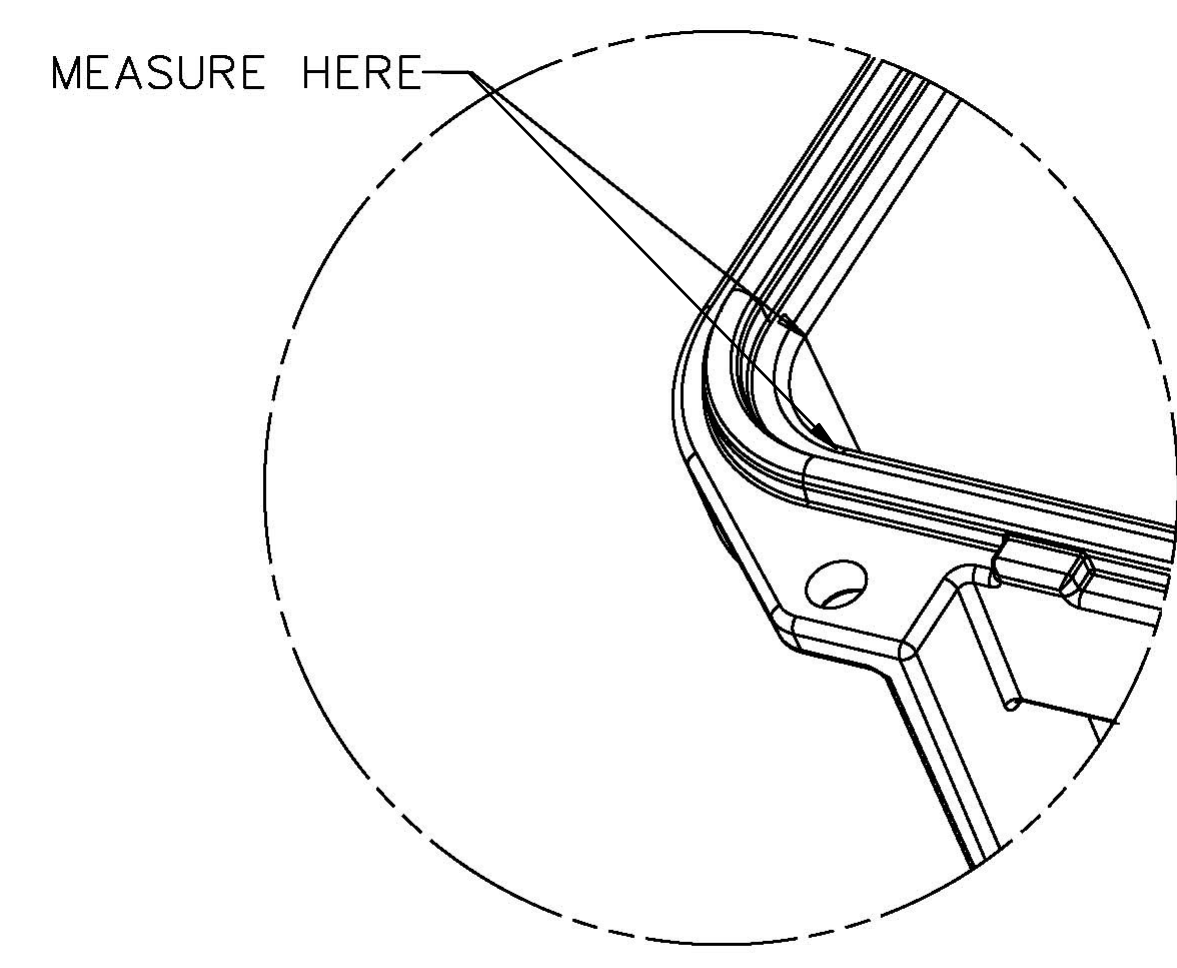


Fig #2

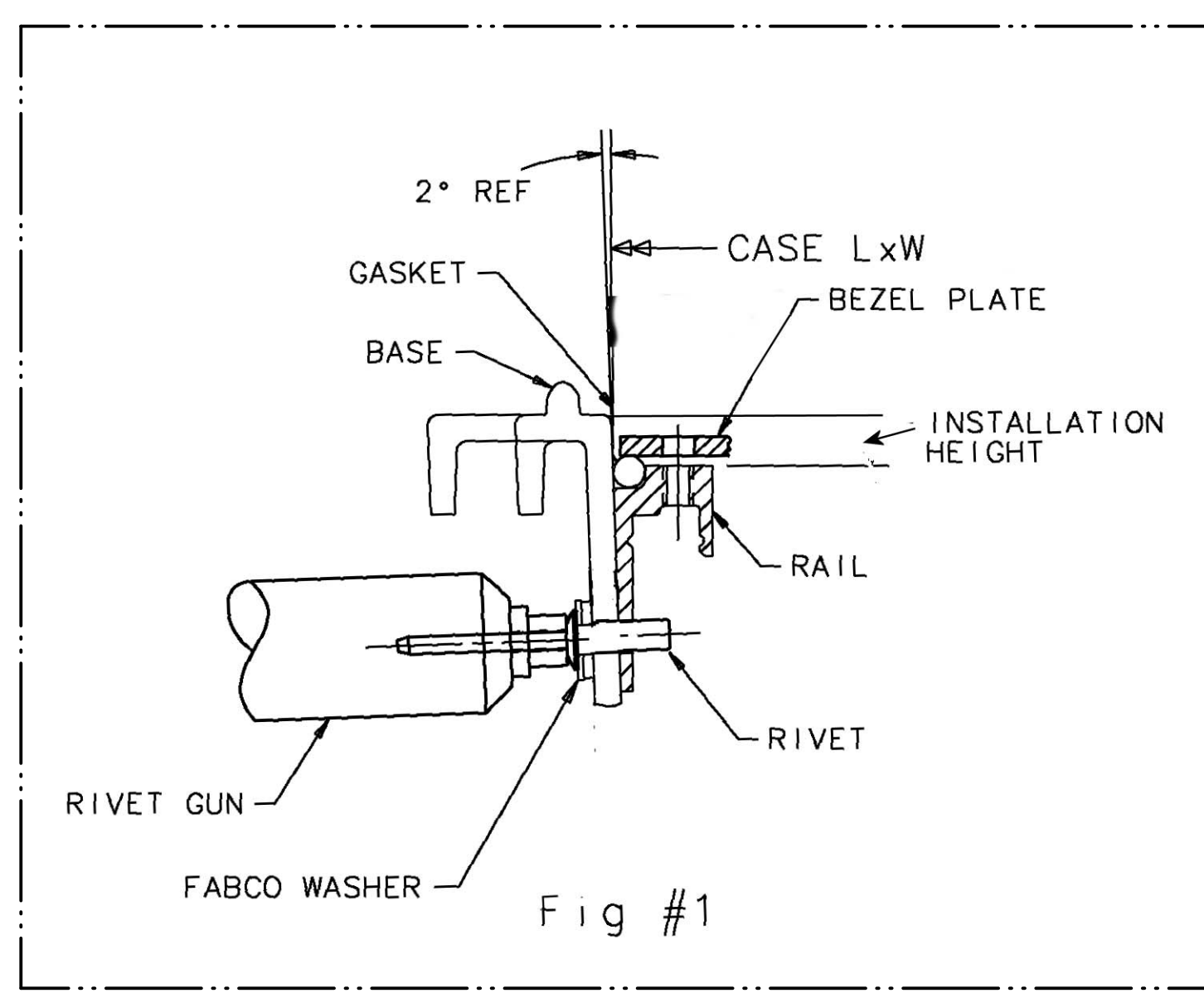
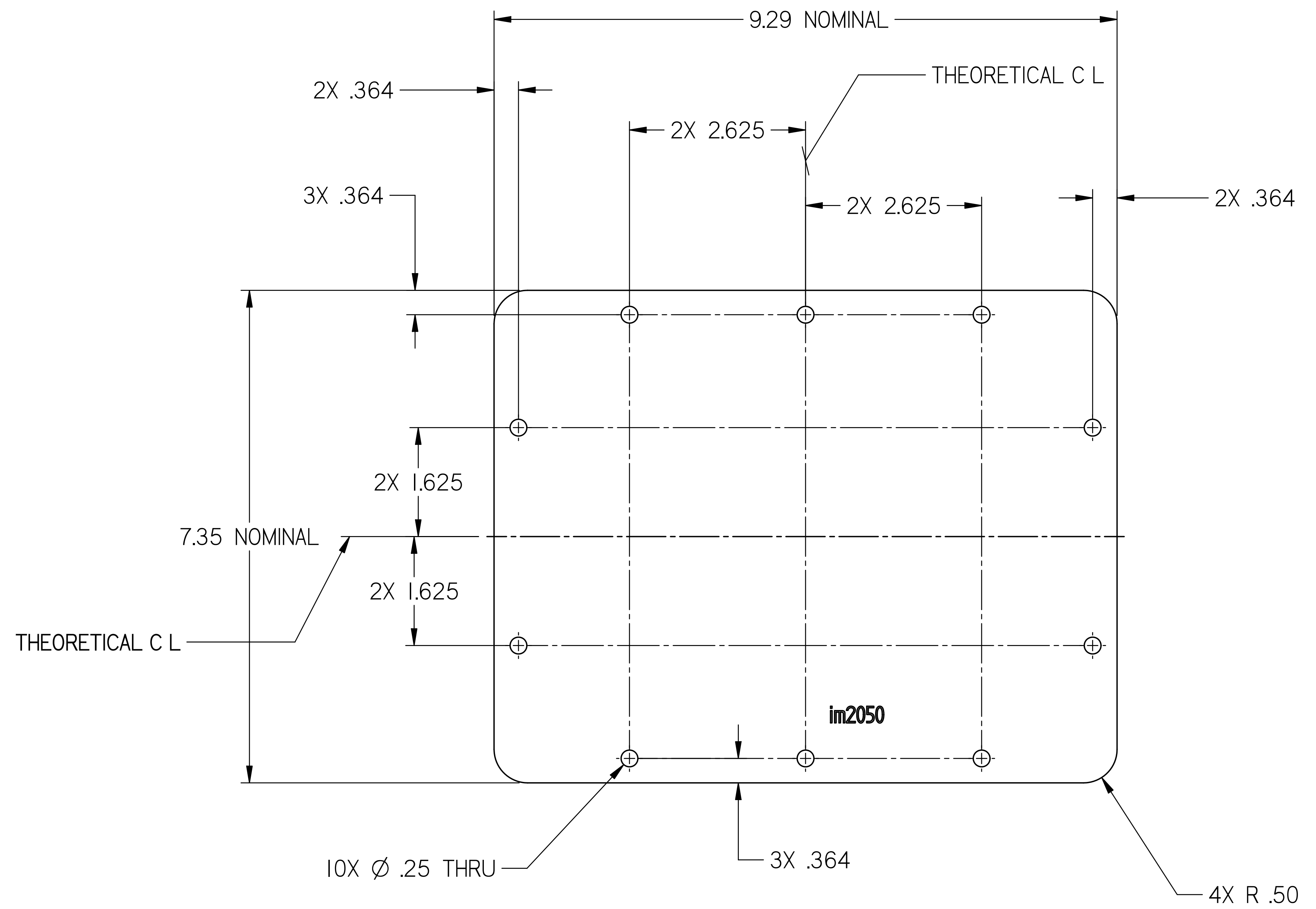


Fig #1



PIII-0370 Rev-

